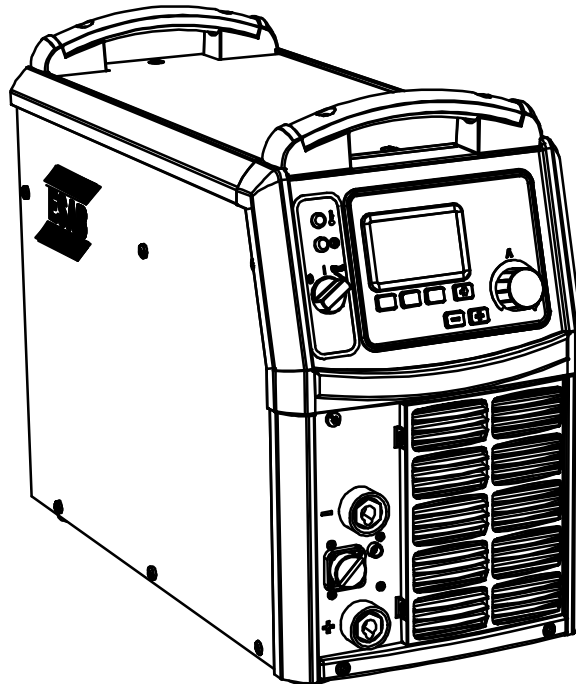


Spare parts list

Edition 090520



Valid for serial no. 304-xxx-xxxx, 445-xxx-xxxx, 524-xxx-xxxx, 620-xxx-xxxx, 640-xxx-xxxx

The AristoArc power source is renamed:

New name	Old name
Arc 5000i	AristoArc 500

Ordering no.	Product
0459 130 882	Origo™ Arc 5000i, A2
0459 130 883	Aristo™ Arc 5000i, A4

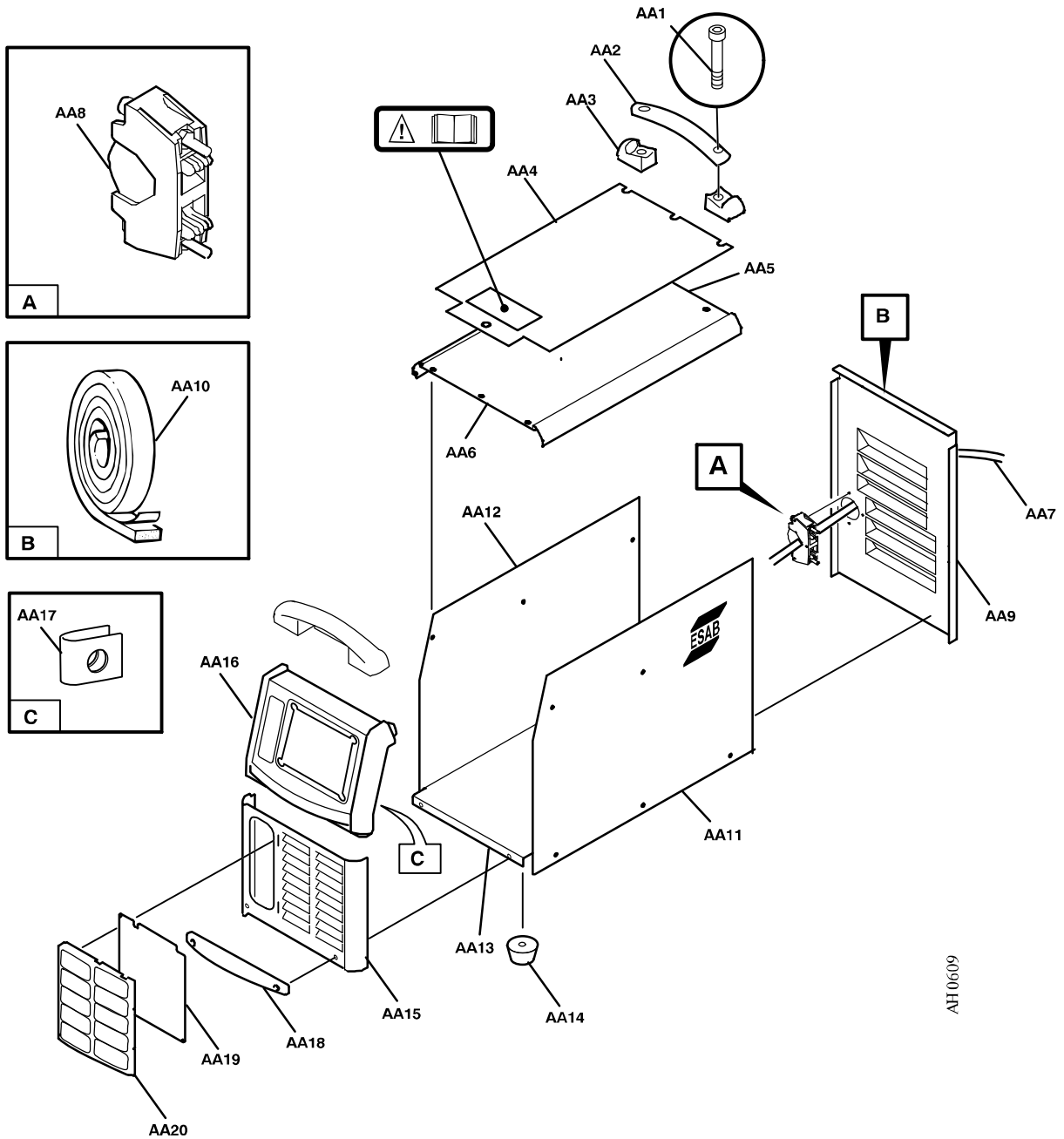
Spare parts are to be ordered through the nearest ESAB agency. Kindly indicate type of unit, serial number, denominations and ordering numbers according to the spare parts list.

Maintenance and repair work should be performed by an experienced person, and electrical work only by a trained electrician. Use only recommended spare parts.

Rights reserved to alter specifications without notice.

C = component designation in the circuit diagram

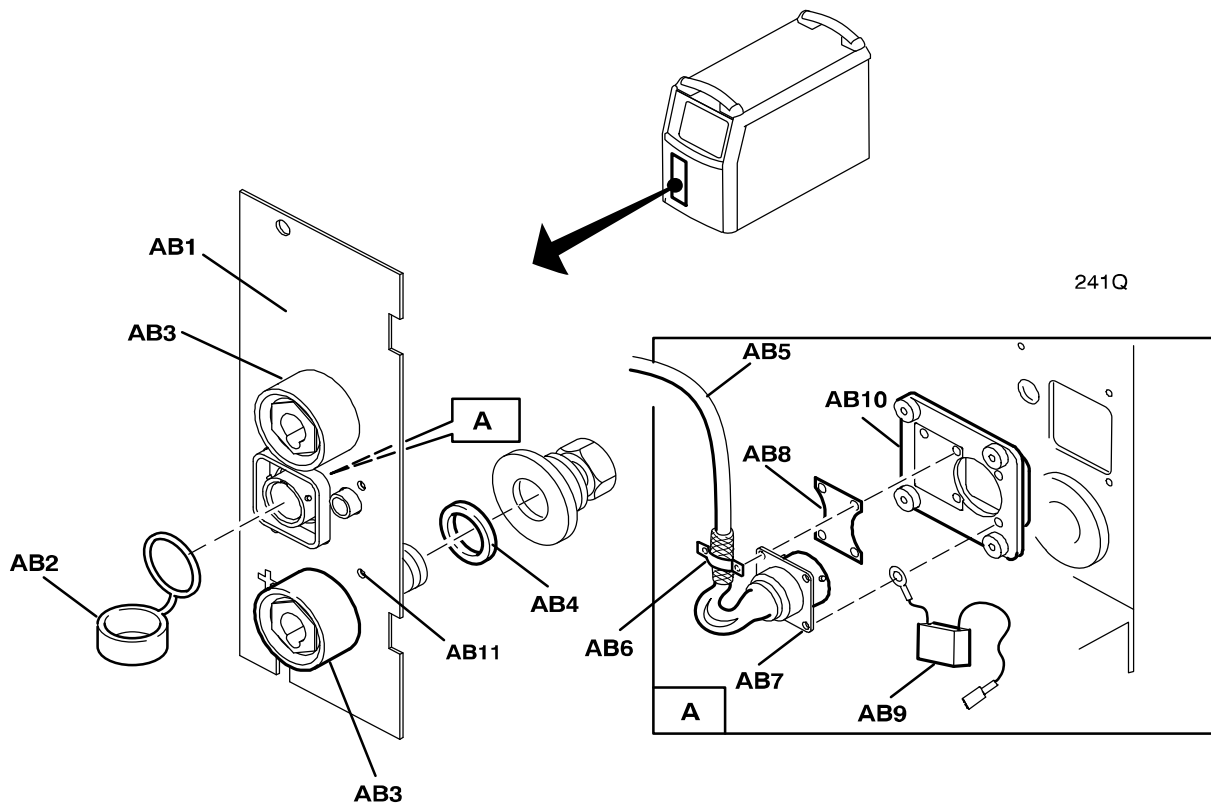
Item	Qty	Ordering no.	Denomination	Notes
AA1	4		Screw	Included in item AA2, M8x50
AA2	2	0459 307 880	Handle set	
-	2		Nut	M8, Included in item AA2.
AA3	4		Handle corner	Included in item AA2
AA4	1	0458 399 001	Rubber mat	
AA5	1	0458 389 005	Cover profile	
AA6	4	0458 310 001	Gasket	
AA7	1	0468 516 887	Mains cable	
AA8	1	0469 950 880	Cable clamp	
-	3		Screw	RXPT 8-16x20
AA9	1	0459 120 880	Rear plate low	
-	12		Screw	M6x16
AA10	1	0192 526 002	Sealing strip	L=0.32m, to be ordered per metre
AA11	1	0458 387 001	Side cover low	Right
AA12	1	0458 388 001	Side cover low	Left
AA13	1	0458 384 001	Bottom plate	
AA14	4	0458 683 001	Foot	
-	4		Screw	M6x19
AA15	1	0458 389 002	Front profile low	
-	4		Screw	M6x16
-	2		Washer	Ø 11/6.4x2.1
AA16	1	0458 395 001	Front frame	
AA17	5	0469 381 001	Fast lock nut	
AA18	1	0458 508 001	Lower beam	
-	2		Screw	M6x20
AA19	1	0458 397 001	Filter	
AA20	1	0458 382 001	Front grill	



AH0609

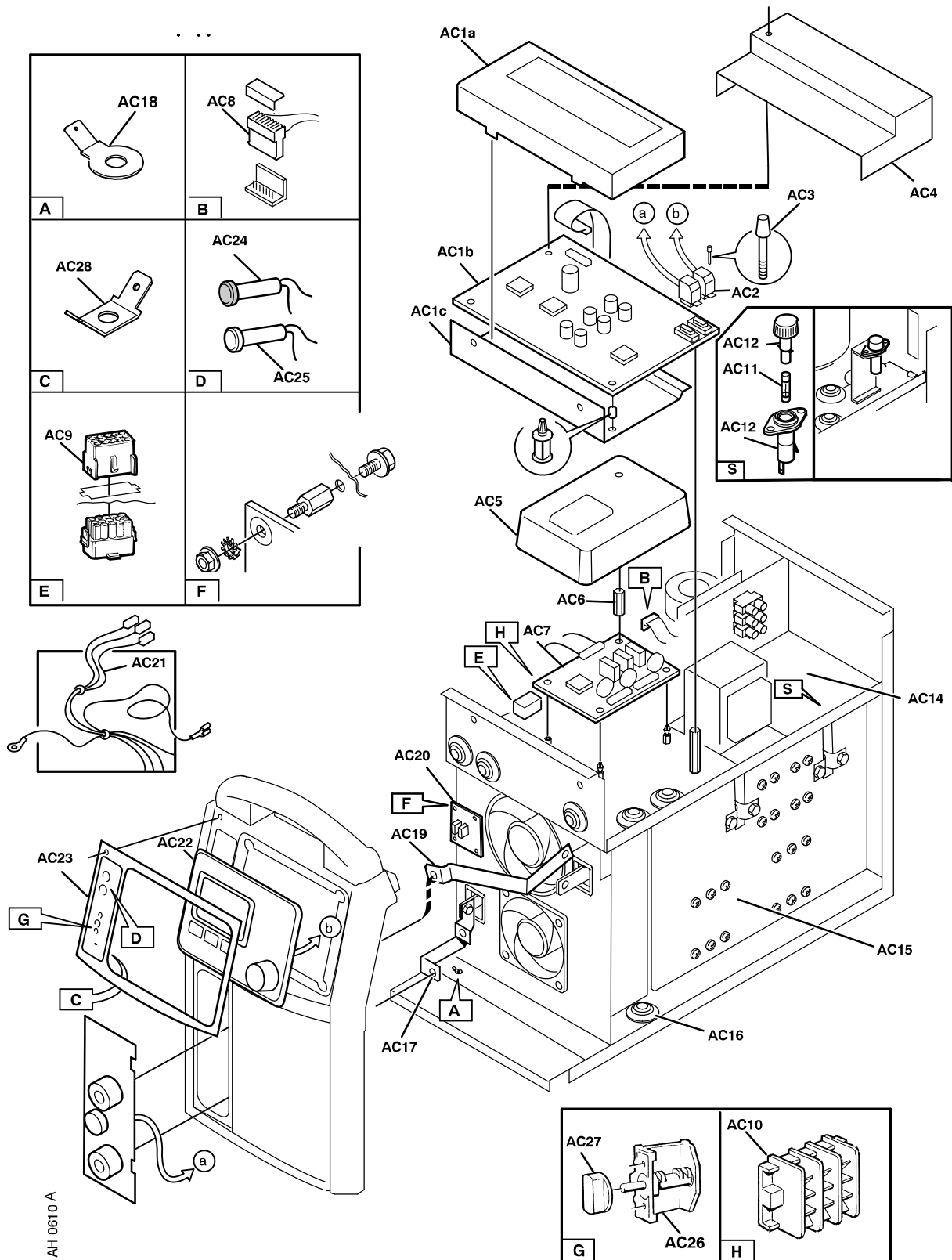
C = component designation in the circuit diagram

Item	Qty	Ordering no.	Denomination	Notes	C
AB1	1	0458 623 001	Connection plate		
AB2	1	0366 285 001	Cap		
AB3	2	0160 362 881	Cable connector	OKC	XS1, XS2
AB4	2	0466 325 001	Gasket		
AB5	1	0458 681 883	Cable	Connectors included	XP1, XS3
AB6	1	0456 686 880	Clamp		
AB7	1	0368 544 003	Socket	12 pole	XS3
-	3		Screw	RXPT 6-19x8	
AB8	1	457 799 001	Screen plate		
AB9	1	0467 911 883	Capacitor		C3
AB10	1	0458 969 001	Insulation		
-	4		Screw	MRX M4x12	
AB11	4	0194 142 412	Nut	M4 domed, plastic	



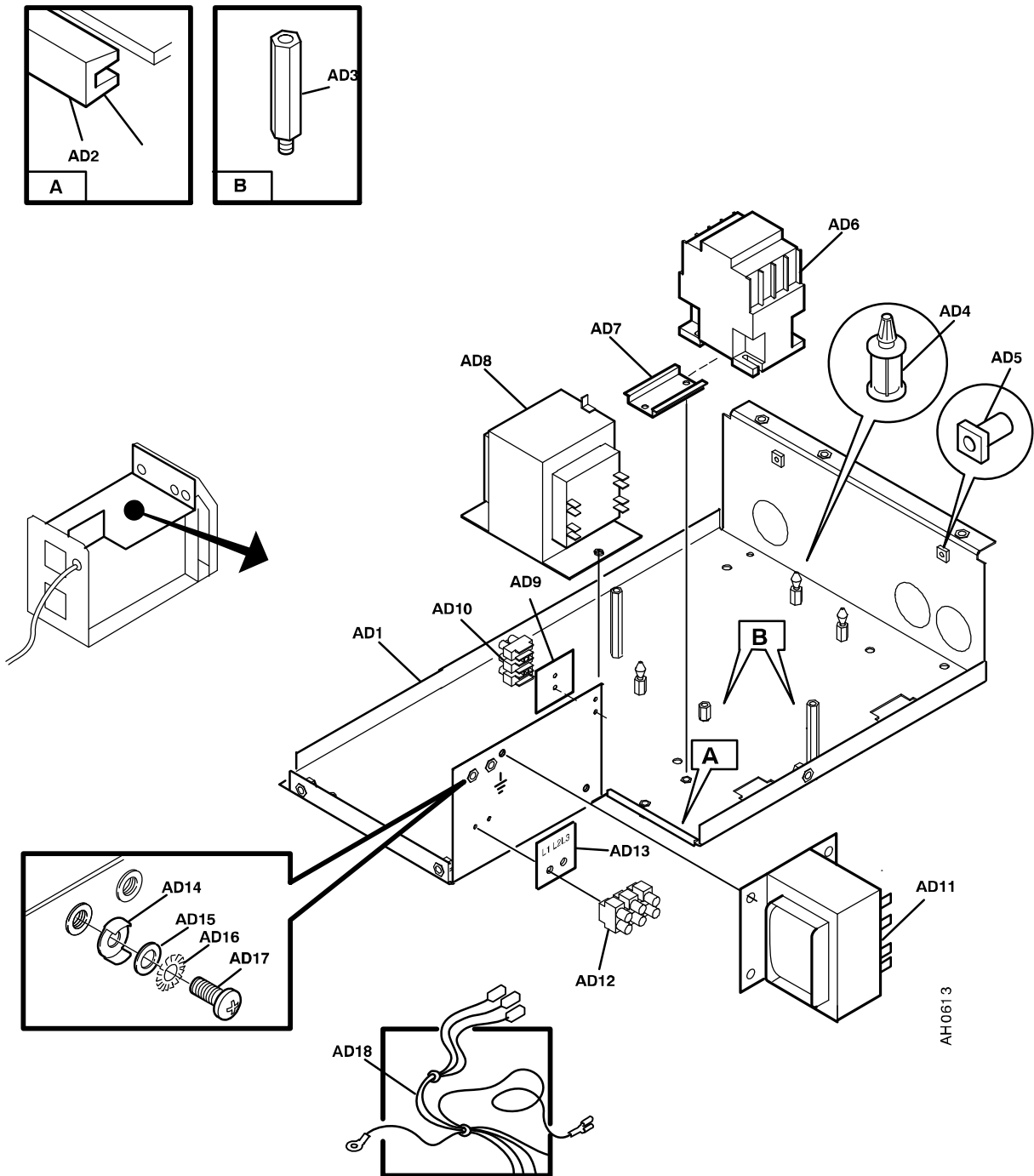
C = component designation in the circuit diagram

Item	Qty	Ordering no.	Denomination	Notes	C
AC1a	1	0458 312 001	Top box		
AC1b	1	0487 201 888	Circuit board	Configured	20AP1
AC1c	1	0458 313 001	Bottom box		
-	2		Screw	M5x8	
-	2		Screw	RXPT 8-16x12	
AC2	1	0458 357 882	Cable MMC	To control panel. Connectors included	XP2, XP3
AC3	2	0193 052 980	Screw		
AC4	1	0458 881 001	Protection cap		
AC5	1	0458 314 001	Dust protection		
AC6	1	0394 516 038	Spacer screw	M5x30	
AC7	1	0486 855 884	Printed circuit board	Relay board, Replacing 0486 855 880	20AP2
-	1		Screw	M5x8	
AC8	9		Connector	Included in item AC21	
AC9	2		Socket	Included in item AC21	
AC10	1	0466 884 003	Connection		XP6
AC11	1	0459 285 001	Fuse	4 AT	2FU1
AC12	1	0459 284 001	Fuse holder		
AC14	1		Mains module	See page 8	
-	6		Screw	M6x16	
AC15	1		Power module	See page 10.	
-	12		Screw	M6x16	
AC16	3	0194 069 003	Rubber inlet	Grommet	
AC17	1	0458 624 003	Connection rail		
-	2		Washer	Ø 22/10.5x2	
-	2		Screw	M10x16	
AC18	1	0191 548 009	Flat pin connector	Ø 6.3x0.8	
AC19	1	0459 125 001	Connection rail		
-	2		Screw	M8x16	
-	2		Nut	M8	
AC20	1	0486 892 882	Circuit board		AP2
AC21	1	0458 629 884	Cable set common	Cable tree; Connectors included: XP6, XS7, XS8, XS15, XS20, XS21, XS22, XS23, XS24, XS25, XS27, XS28	<-----
AC22	1	0458 535 889	MMC module A2 500	For more info see separate manual	MMC module
-	1	0458 535 888	MMC module A4	For more info see separate manual	MMC module
-	3		Washer	Ø 4.3X8	
-	7		Nut	M4	
AC23	1	0458 800 003	Front panel		
AC24	1	0369 733 005	Lamp	Orange LED	D1
AC25	1	0369 733 010	Indicating diod lamp	White 28 V	HL1
AC26	1	0458 601 001	Switch		2QF1
-	2		Screw	FXS ST3.5x9.5	
AC27	1	0366 296 003	Knob		
AC28	1	0192 038 102	Flat pin connector	5.3 mm	



C = component designation in the circuit diagram

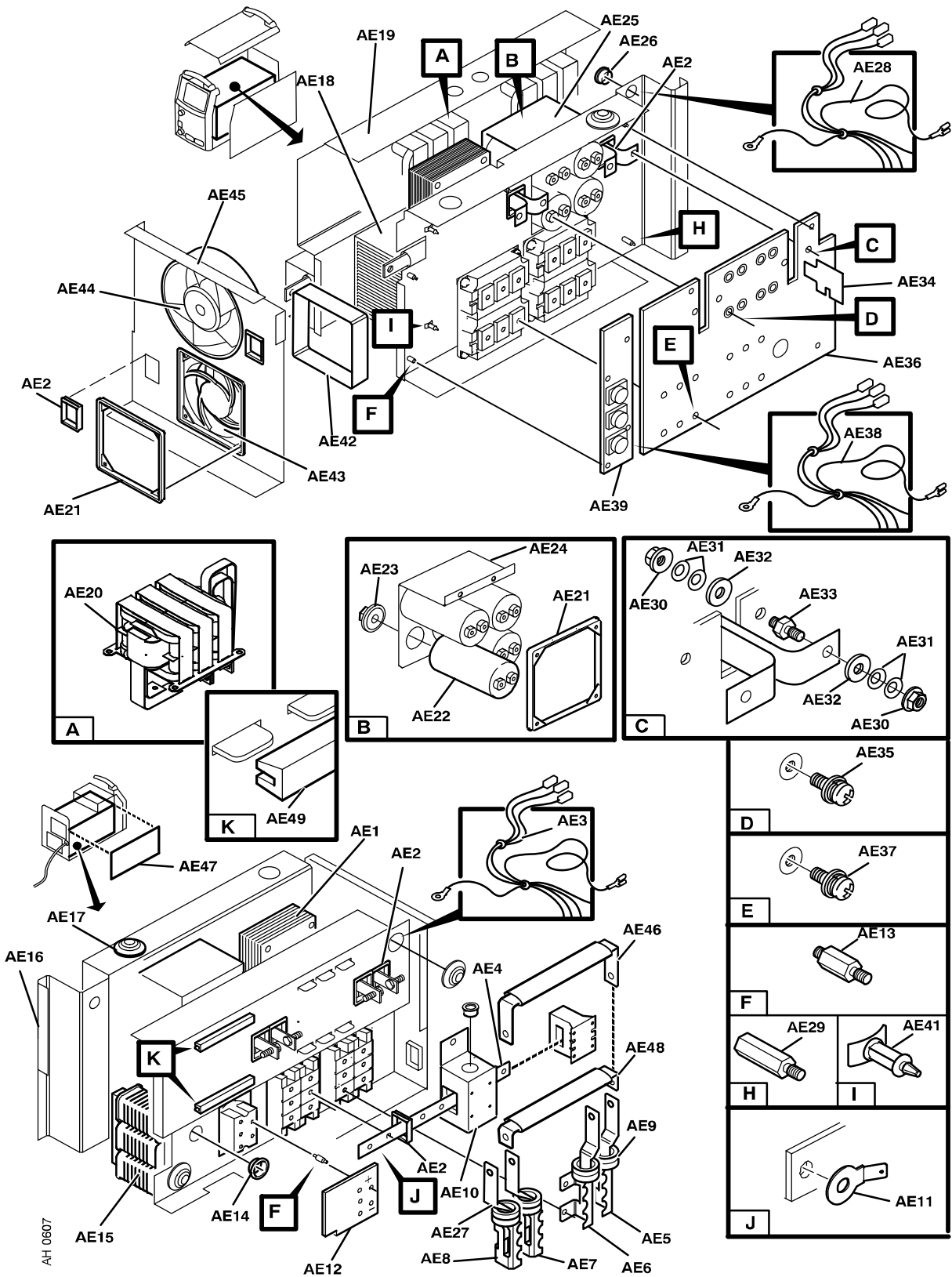
Item	Qty	Ordering no.	Denomination	Notes	C
AD1	1	0458 391 001	Circuit board shelf		
AD2	1	0193 350 101	Grommet strip	L = 50 mm. To be ordered per metre	
AD3	3	0394 516 033	Distance screw	Spacer screw M5x12	
-	2		Washer	Ø 10/5.3	
-	2		Screw	M5x8	
-	2	0394 516 044	Distance screw	Spacer screw M5x60	
AD4	3	0192 790 104	Spacer	12.7 mm	
AD5	2	0194 019 005	Spacer	6.4	
AD6	1	0193 502 105	Contacteur	400 V	2KM1
AD7	1	0193 298 101	Bar for contacteur		
-	2		Screw	M5x8	
AD8	1	0458 607 001	Control transformer	With fuses 2FU2 and 2FU3	2TC1
-	2		Screw	M6x6	
AD9	1	0458 878 001	Sign	With connection instructions	
AD10	1	0193 655 012	Terminal block	Delivered as 12 pole, to be cut to 6 pole.	2XT2
-	2		Screw	RXS B8x19	
AD11	1	0459 124 001	Transformer		2TC3
AD12	1	0320 378 011	Mans select block	Terminal block Delivered as 12 pole, to be cut to 3 pole.	2XT1
-	2		Screw	M4x25	
AD13	1	0468 882 004	Sign	Insulation	
AD14	1	0264 300 404	Washer	KB6.5	
AD15	1		Washer	Ø 16/8.4x1.5	
AD16	2	0219 501 309	Washer lock AZ	Ø 11/6.4x2.1	
AD17	2		Screw	M6x16	
AD18	1	0458 611 883	Cable set mains module	Cabel tree. Connectors included	2XS1, 2XS2, 2XT2



C = component designation in the circuit diagram

Item	Qty	Ordering no.	Denomination	Notes	C
AE1	1	0459 075 880	Inductor		15L3
-	1		Screw	M6SF-TT, M6x14	
-	1		Screw	M5x10	
AE2	9	0458 074 001	Inlet	Grommet	
AE3	1	0458 064 882	Cable set 500	Connectors included: 5XP7, 15XP8, 15XS4, 15XS9	<-----
AE4	1	0458 067 002	Rail		
AE5	1	0459 081 002	Rail		
AE6	1	0459 081 004	Rail		
-	2		Screw	M8x25	
-	2		Screw	M8x16	
-	4		Nut	M8	
AE7	1	0459 081 001	Rail		
AE8	1	0459 081 003	Rail rear		
AE9	8	0455 569 001	Ferrit ring core	15L1, 15L2, 15L4, 15L5	<-----
-	4	0040 953 611	Cable tie	Heat resistant	
AE10	1	0459 051 880	Current sensor		15AP3
AE11	1	0191 548 009	Flat pin	6.3x0.8	
AE12	1	0486 979 880	Filter board		15AP4
AE13	7	0467 212 002	Spacer screw		
AE14	1	0192 041 129	Grommet		
AE15	1	0459 029 002	Primary inductor		3L1
AE16	1	0459 082 001	Mounting plate		
AE17	1	0194 069 002	Rubber inlet	Grommet	
AE18	1		Semiconductor module	See page 12	
AE19	1	0459 079 001	Intermediate plate		
AE20	2	0458 075 882	Transformer module		15TM1,15TM1
-	6		Screw	M6SF-TT M6x14	
AE21	2	0458 076 001	Fan attachment		
AE22	4	0192 903 508	Capacitor	1000 µF, 450 V	
AE23	4	0320 901 003	Insulating nut	M12	
AE24	1	0458 058 001	Support plate		
-	2		Screw	M6SF-TT, M5x10	
AE25	1	0459 271 001	Air guide		
AE26	1	0192 041 119	Grommet		
AE27	4	0190 209 120	Hose	Ø 15.9/14, L= 45mm, to be ordered per metre	
AE28	1	0458 064 883	Cable set gate	Connectors included: 15XS3, 15XS5, 15XS6, 15XS7, 15XS8, 15XS11	<-----
AE29	3	0458 991 001	Spacer screw	M5x27	
AE30	13		Nut	M5	
AE31	16	0219 504 302	Spring washer	Ø 10/5.2x0.5	
AE32	8		Washer	Ø 16/5x1	
AE33	4	0458 991 003	Spacer screw	M5x10	
AE34	2	0459 109 001	Insulation		
AE35	8	0194 143 327	Screw	M5x12 See * below	
AE36	1	0486 983 880	Circuit board	Note: Read the service manual	15AP1
AE37	24	0194 143 368	Screw	M6x16 See * below	
AE38	1	0458 064 884	Cable set driver board		
AE39	1	0486 975 882	Circuit board		15AP2
AE41	2	0192 790 106	Spacer		
AE42	1	0458 055 001	Spacer		
AE43	1	0459 128 001	Fan		15EV2
-	2		Screw	MRX-TT M4x8	
AE44	1	0459 127 001	Fan		15EV1
AE45	1	0459 078 002	Fan plate		
-	3		Screw	M6SF-TT M6x19	
AE46	1	0459 077 002	Rail		
AE47	1	0459 236 001	Insulation		
AE48	1	0459 077 004	Rail		
AE49	2	0193 350 101	Grommet strip	L=95mm	

* Special screw with built-in washer and spring washer function



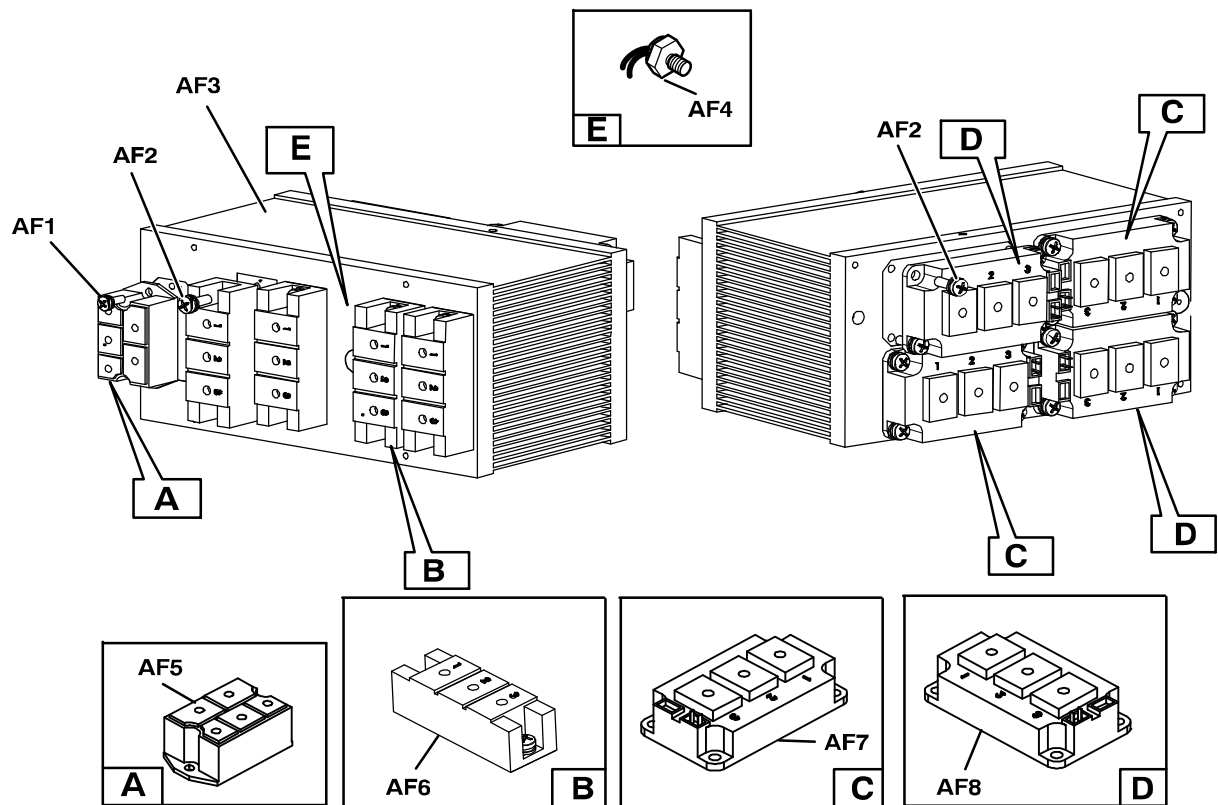
C = component designation in the circuit diagram

Item	Qty	Ordering no.	Denomination	Notes	C
-	1	0458 073 881	Semiconductor module	Complete. Items AF1 - AF8	
AF1	2	0194 143 329	Screw	M5x16 See * below	
AF2	24	0194 143 370	Screw	M6x20 See * below	
AF3	1	0301 011 007	Heat sink		
AF4	1	0456 113 888	Thermal switch		15ST2
AF5	1		Rectifier bridge	See item AF51	15BR1
AF6	4		Diode module	See item AF52	15D1, 15D2. 15D3, 15D3
AF7	2		IGBT module	Type GAL, see item AF50	15Q2, 15Q4
AF8	2		IGBT module	Type GAR, see item AF50	15Q1, 15Q3
-	1	0192 058 101	Thermal compound	For fitting of items AF4, AF5, AF6, AF7 and AF8	

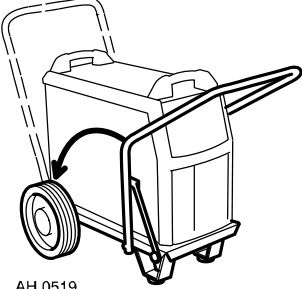
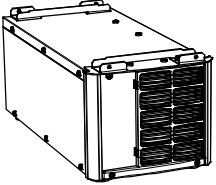




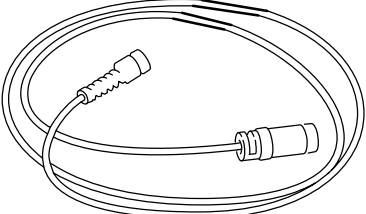
* Special screw with built-in washer and spring washer function.

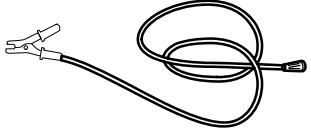
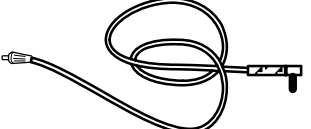
SPARE PARTS SETS

Item	Ordering no.	Denomination	Notes
AF50	0458 920 880	IGBT modules set	Includes: item AF7 IGBT type GAL and item AF8 IGBT type GAR, one of each. Thermal compound, roller and mounting instruction
AF51	0458 920 881	Rectifier set	Includes: item AF5 rectifier bridge 15BR1, thermal compound, roller and mounting instruction
AF52	0458 920 882	Diode module set	Includes: diode module item AF6, thermal compound, roller and mounting instruction. Note: there is only one diode module in the set.
-	0458 910 002	Roller handle	For the roller in the spare parts sets above



Accessories

 <p>AH 0519</p>	<p>Trolley 0458 525 880</p>
	<p>Autotransformer TUA1 0459 144 880</p>
	<p>Remote control adapter RA12 12 pole 0459 491 910 For analogue remote controls to CAN based equipment.</p>
	<p>Remote control unit MTA1 CAN 0459 491 880 For setting of wire feed speed, current and arc force.</p>
	<p>Remote control unit AT1 CAN 0459 491 883 For setting of current.</p>
	<p>Remote control unit AT1 CF CAN 0459 491 884 For rough and fine setting of current.</p>
	<p>Remote control cable 12 pole - 4 pole</p> <p>16.4 ft 0459 554 880</p> <p>32.9 ft 0459 554 881</p> <p>.49.4 ft 0459 554 882</p> <p>82.2 ft 0459 554 883</p> <p>0.8 ft 0459 554 884</p>

	Return cable 16.5 ft 2/0 AWG 0700 006 895
	ESAB 400 electrode holder with 19 ft cable .. 0349 501 060

